

SPECIAL OFFER TILL 15.08.2009

for business customers, all prices are in EURO, excl. VAT, ex-works

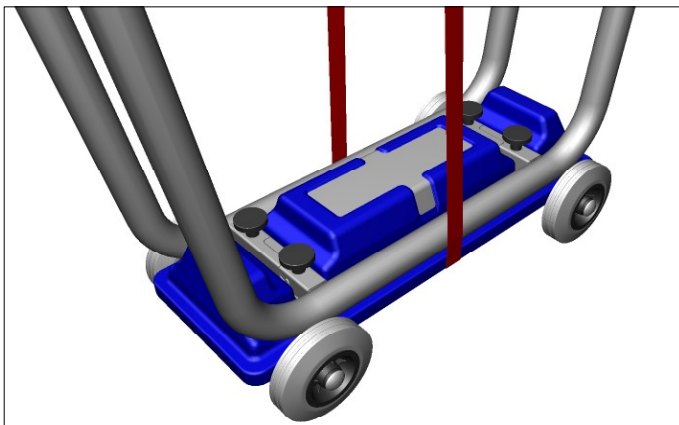
NEW! JUSTINCASE TROLLEYS

WATCH THEM IN ACTION:

WWW.JUSTINCASE.AT/JUSTINCASE-OPTIONS-SKATER.PHP

- EASIEST TRANSPORT
- MANOEUVRABLE AND MULTI-FUNCTIONAL
- COMPACT STORAGE SOLUTION
- ALSO CARRIES STANDARD BOXES
- VERY DURABLE

SKATER: SINGLE PLEASURE - FOR A SINGLE BAR ELEMENT (Art. No. OP.080.001) EUR 200,00

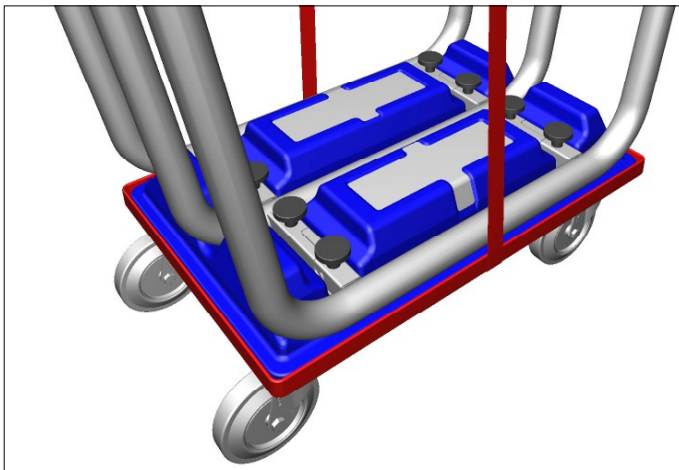


single pleasure - the new skater for a single bar, is a very handy addition to the system. The two leg pieces can be mounted onto the trolley by turning them upside-down and use of the existing screws. This set-up will then securely hold a single bar element which can be fixed to the trolley using the supplied belt. The entire bar can be easily transported with minimal force and the configuration also doubles as a compact storage unit in your magazine. Transported in a vehicle, the bar should always be secured to one wall of the transporter in upright position by using strap belts, so it can't move.

In order to avoid scratches to the bar element please always use the padded transport bag option before sliding in the bar element.

material:
durable and shock resistant ABS plastic body, black - matt finish
2 axes with roller bearings and solid tyres - non marking
tension belt included

SKATER: DOUBLE PLEASURE - FOR A DOUBLE BAR (Art. No. OP.080.002) EUR 240,00



double pleasure - the new skater for a complete double bar, is a very handy addition to the system. The three leg pieces can be mounted onto the trolley by turning them upside-down and use of the existing screws. This set-up will then securely hold a double bar which can be fixed to the trolley using the supplied belt. The entire bar set-up can be easily transported with minimal force and the configuration also doubles as a compact storage unit in your magazine. Transported in a vehicle, the bars should always be secured to one wall of the transporter in upright position by using strap belts, so it can't move. In order to avoid scratches to the bar elements please always use the padded transport bag option before sliding in the bar elements. This trolley can also be used to carry standard boxes 60 x 40cm with a maximum load of 250kg. To do so, the plastic inlay has to be removed from the frame. It will fit like a lid on top of the boxes.

material:
durable and shock resistant ABS plastic body, black - matt finish plastic frame with two 2 steering rollers and two fixed rollers. solid tyres - non marking - max. load 250kg, tension belt included



**INTRODUCTORY OFFER ! SAVE € 20,-
ON ORDERS RECEIVED TILL 15.08.2009:**

SINGLE PLEASURE: € 180,-

DOUBLE PLEASURE: € 220,-